

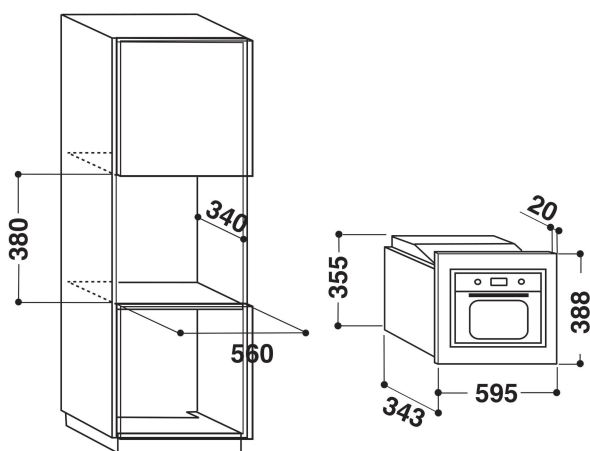
AMW 140 NB

12NC: 858714001490

EAN code: 8003437214240

Whirlpool

SENSING THE DIFFERENCE



MAIN FEATURES

Product group	Microwave
Commercial code	AMW 140 NB
Main colour of product	Čierna
Type of micro-wave oven	MW+Grill function
Construction type	Vstavaná
Type of control	Electronic
Type of control setting and signalling devices	LED
Additional cooking method Grill	Áno
Crisp	Nie
Steam	Nie
Additional cooking method Fan cooking	Nie
Clock	Áno
Automatic programmes	Nie
Height of the product	388
Width of the product	595
Depth of the product	343
Minimum niche height	0
Minimum niche width	0
Niche depth	0
Net weight (kg)	15.35
Cavity capacity (l)	20
Turntable	Áno
Turntable diameter (mm)	245
Integrated Cleaning system	Nie

TECHNICAL FEATURES

Current (A)	10
Voltage (V)	230
Frequency (Hz)	50
Length of Electrical Supply Cord (cm)	110
Plug type	Schuko
Timer	Áno
Grill power (W)	1000
Type of grill	Heating element
Cavity material	Stainless steel
Interior light	Nie
Additional cooking method Grill	Áno
Position of interior lights	Right side

ENERGETICKÝ ŠTÍTK

6th Sense / Dynamic Intelligence	Nie
Number of power levels	5
Maximum micro-wave power (W)	800
Rozmrazovanie pečiva	Nie
Jet defrost	Áno
Jet start	Áno